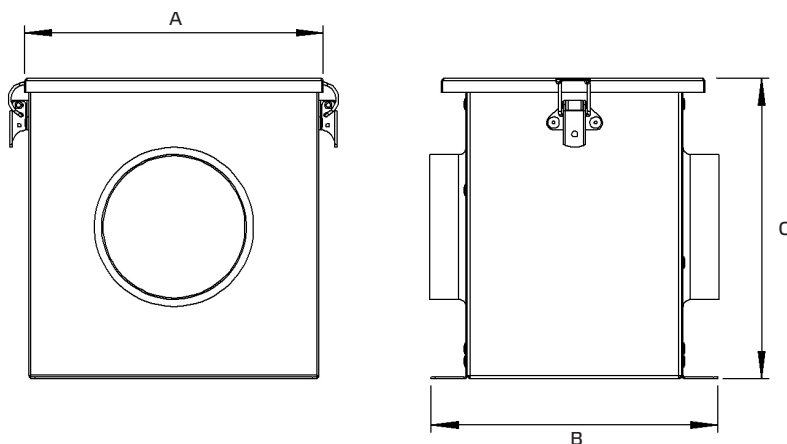


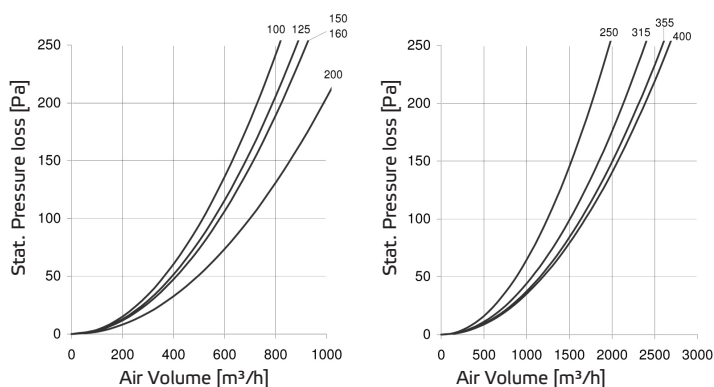
## Filter Box FV



Type	ID	Nominal width mm	Filter Size	A mm	B mm	C mm	Weight kg
FV 100	112678	100	1	206	198	207	1,8
FV 125	112679	125	1	206	198	207	1,8
FV 150	112680	150	1	206	198	207	1,7
FV 160	112831	160	1	206	198	207	1,7
FV 200	112832	200	2	306	198	307	2,9
FV 250	112833	250	2	306	198	307	2,7
FV 315	112834	315	3	506	198	507	6,1
FV 355	112835	355	3	506	198	507	5,1
FV 400	112836	400	3	506	198	507	5,6

- Filter Box with Mat Filter ISO Coarse 45% (G3)
- Galvanized sheet steel housing
- Toggle-type fastener

Pressure loss test with filter ISO Coarse 45% (G3)



Recommended maximum pressure loss according to filter manufacturer: 250 Pa



Fiber Mat Filter  
max. ambient temp 80 °C  
1 pack = 5 pcs.

### Replacement Filter

Size	ID	Filtration class
1	112683	ISO Coarse 45% (G3)
2	112684	ISO Coarse 45% (G3)
3	112685	ISO Coarse 45% (G3)